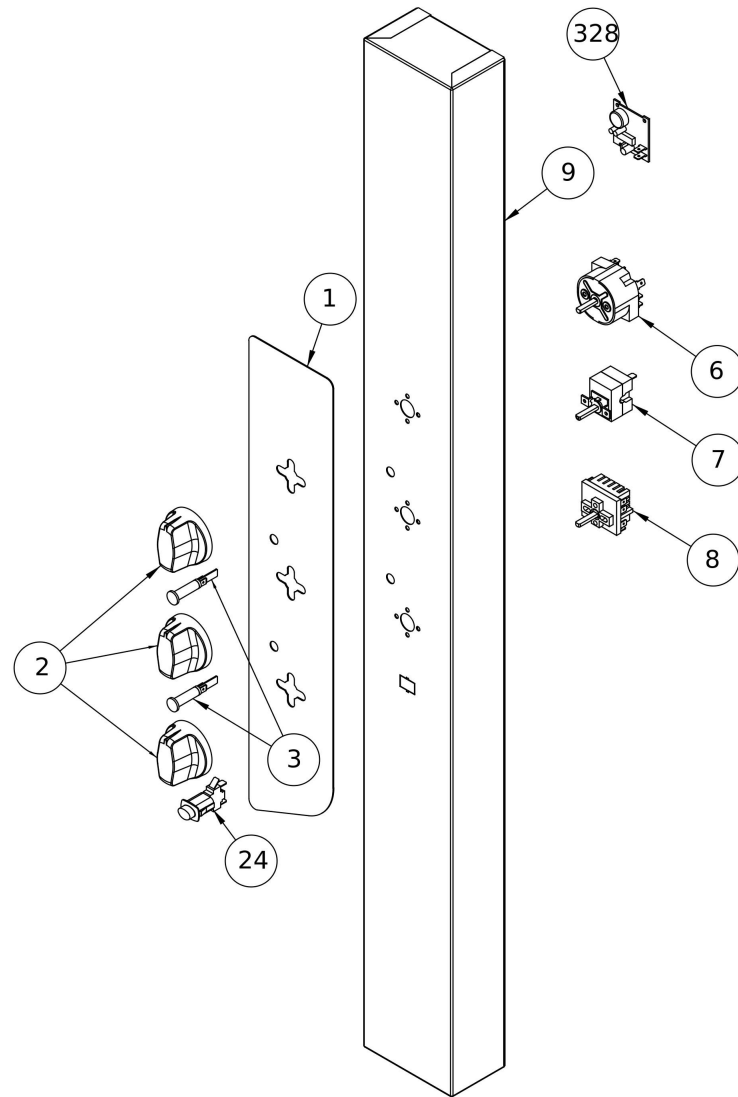


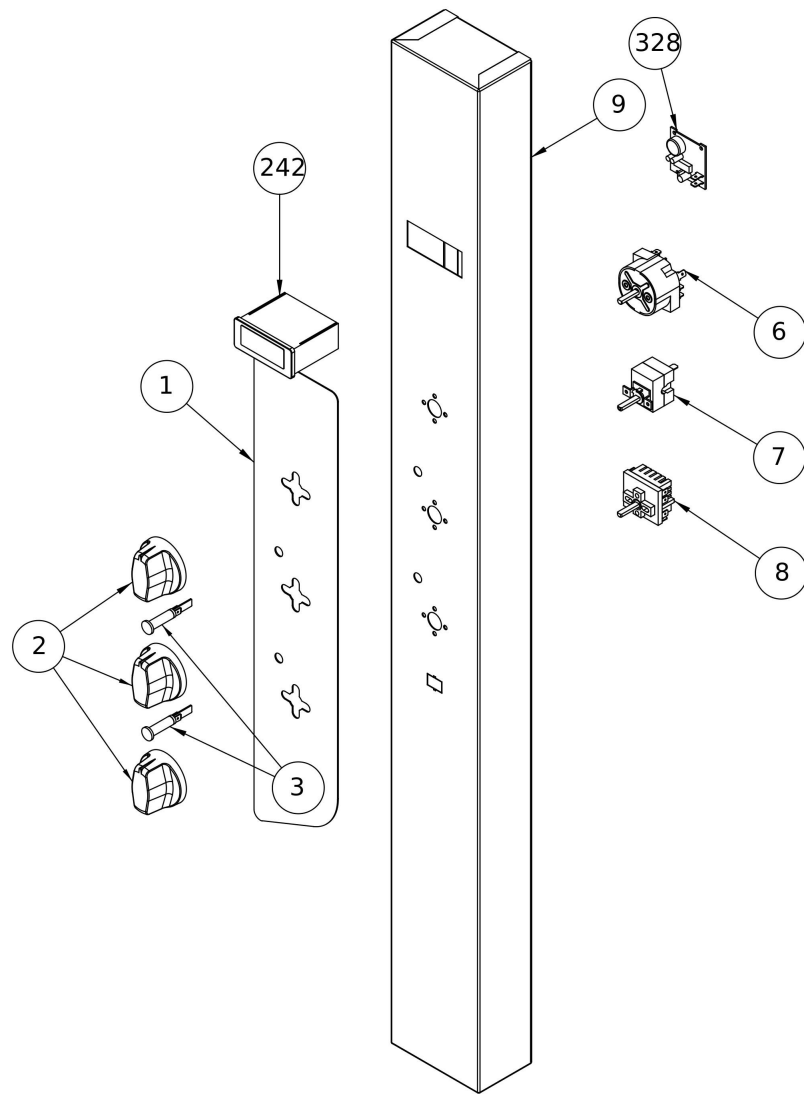
Index

Frontal panel M0 - MV	2
Frontal panel MZ	4
Frontal panel MA	6
Electrical box	8
Oven body	10
Cooking chamber	12
Internal accessories	14
Door	16
All glass door	18



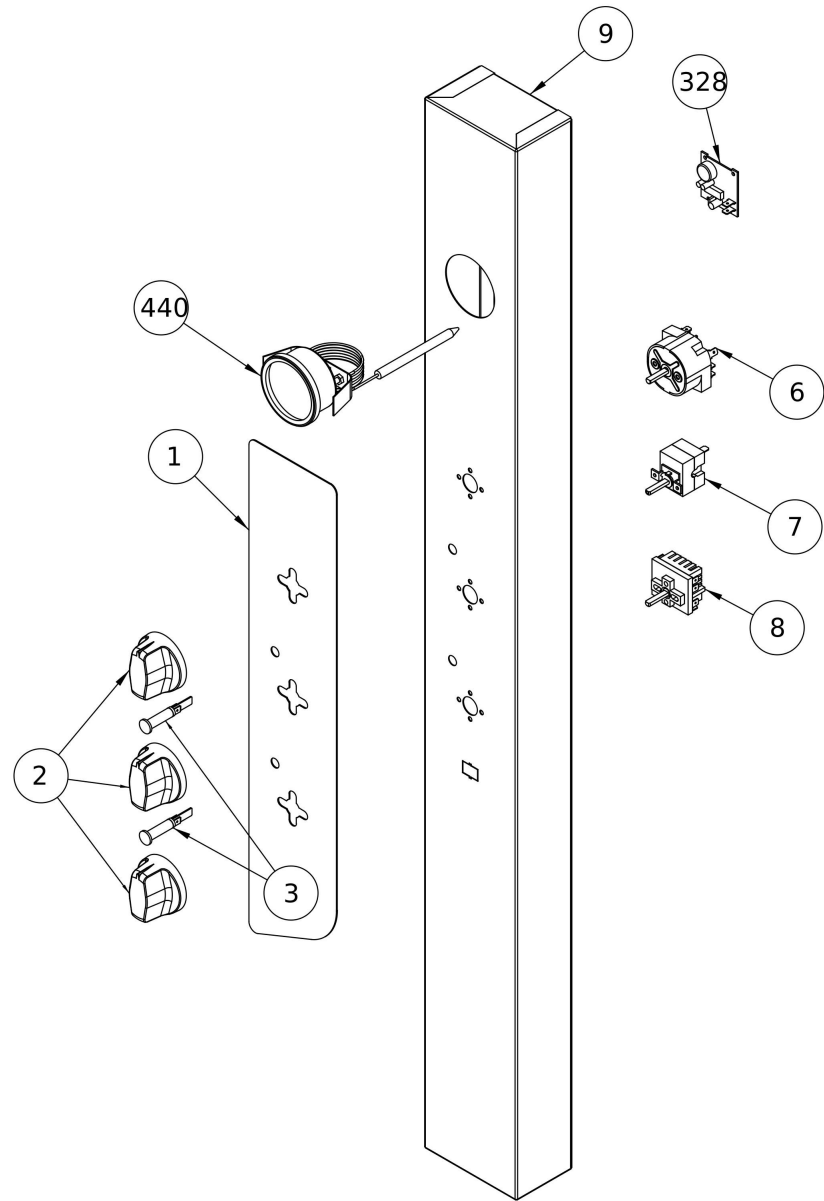
Frontal panel M0 - MV

#	Code	Description	Specification	UM	Qty
1	TBC-FRO*	FRONTAL STICKER	To order share s/n	pz	1
2	TBC-MAN	KNOB	To order share s/n	pz	3
3	020LSP0004	ORANGE LIGHT		pz	2
6	TBC-TMR	TIMER	To order share s/n	pz	1
7	020TER0001	CHAMBER THERMOSTAT		pz	1
8	020RDE0001	HUMIDIFICATION TIMED SWITCH		pz	1
9	TBC-CRU	OVEN FRONTAL PANEL	To order share s/n	pz	1
24	020DEV0001	2 SPEED ELECTRIC DIVERTER		pz	1
328	020SCH0016	BUZZER ELECTRONIC BOARD		pz	1



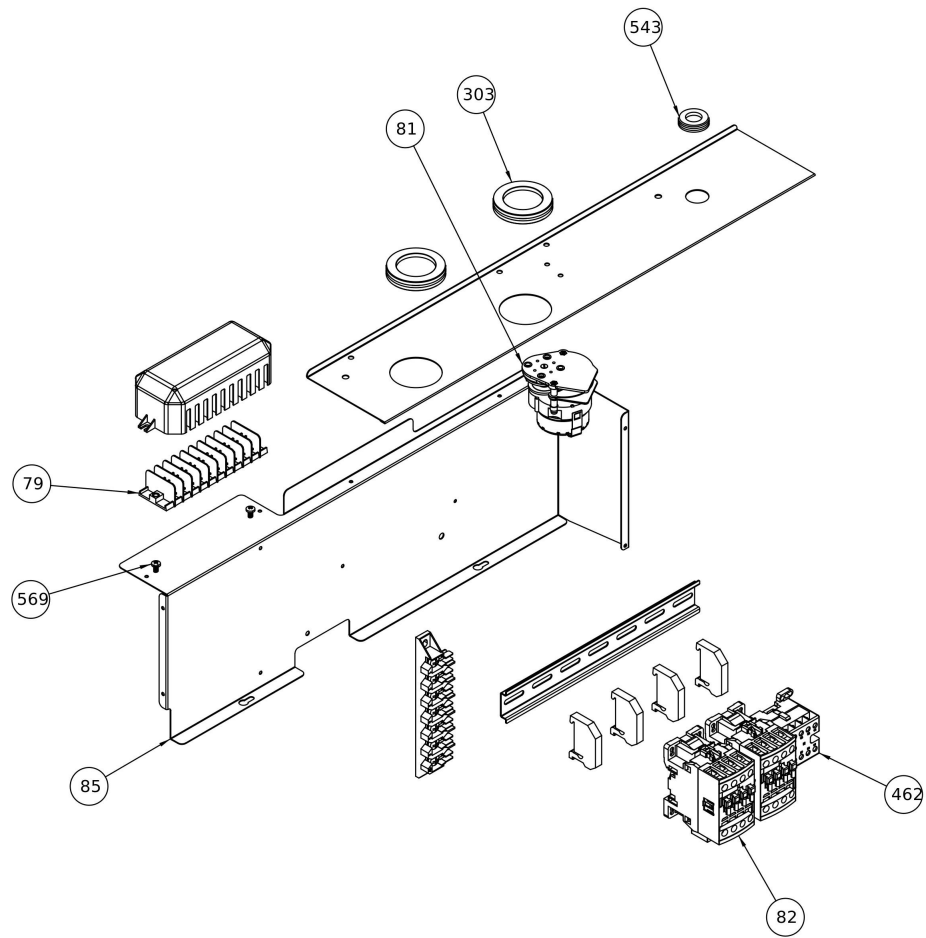
Frontal panel MZ

#	Code	Description	Specification	UM	Qty
1	TBC-FRO*	FRONTAL STICKER	To order share s/n	pz	1
2	TBC-MAN	KNOB	To order share s/n	pz	3
3	020LSP0004	ORANGE LIGHT		pz	2
6	TBC-TMR	TIMER	To order share s/n	pz	1
7	020TER0001	CHAMBER THERMOSTAT		pz	1
8	020RDE0001	HUMIDIFICATION TIMED SWITCH		pz	1
9	TBC-CRU	OVEN FRONTAL PANEL	To order share s/n	pz	1
242	20SCH00051	TEMPERATURE DISPLAY		pz	1
328	020SCH0016	BUZZER ELECTRONIC BOARD		pz	1

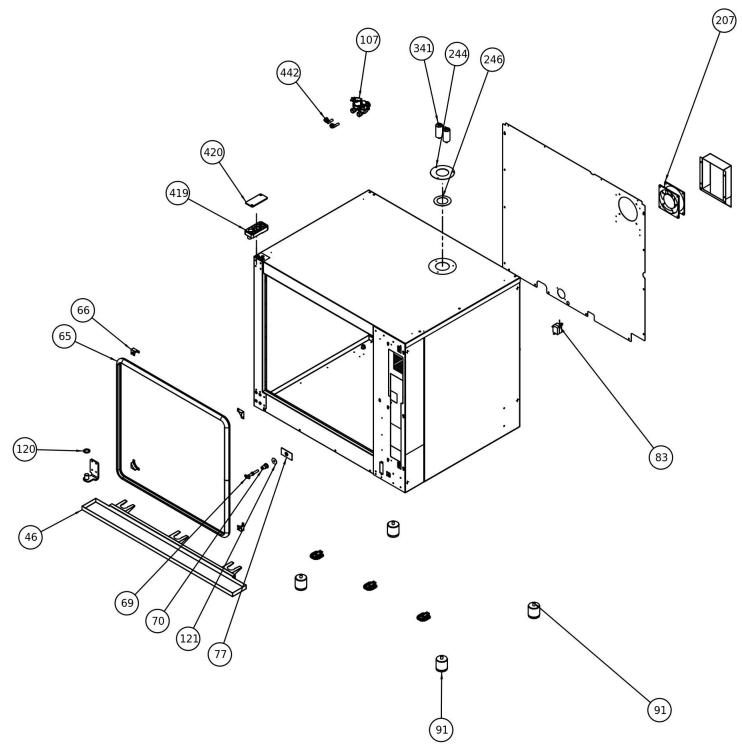


Frontal panel MA

#	Code	Description	Specification	UM	Qty
1	TBC-FRO*	FRONTAL STICKER	To order share s/n	pz	1
2	TBC-MAN	KNOB	To order share s/n	pz	1
3	020LSP0004	ORANGE LIGHT		pz	1
6	TBC-TMR	TIMER	To order share s/n	pz	1
7	020TER0001	CHAMBER THERMOSTAT		pz	1
8	020RDE0001	HUMIDIFICATION TIMED SWITCH		pz	1
9	TBC-CRU	OVEN FRONTAL PANEL	To order share s/n	pz	1
328	020SCH0016	BUZZER ELECTRONIC BOARD		pz	1
440	020TER0010	MECHANICAL THERMO GAUGE	PZ	pz	1

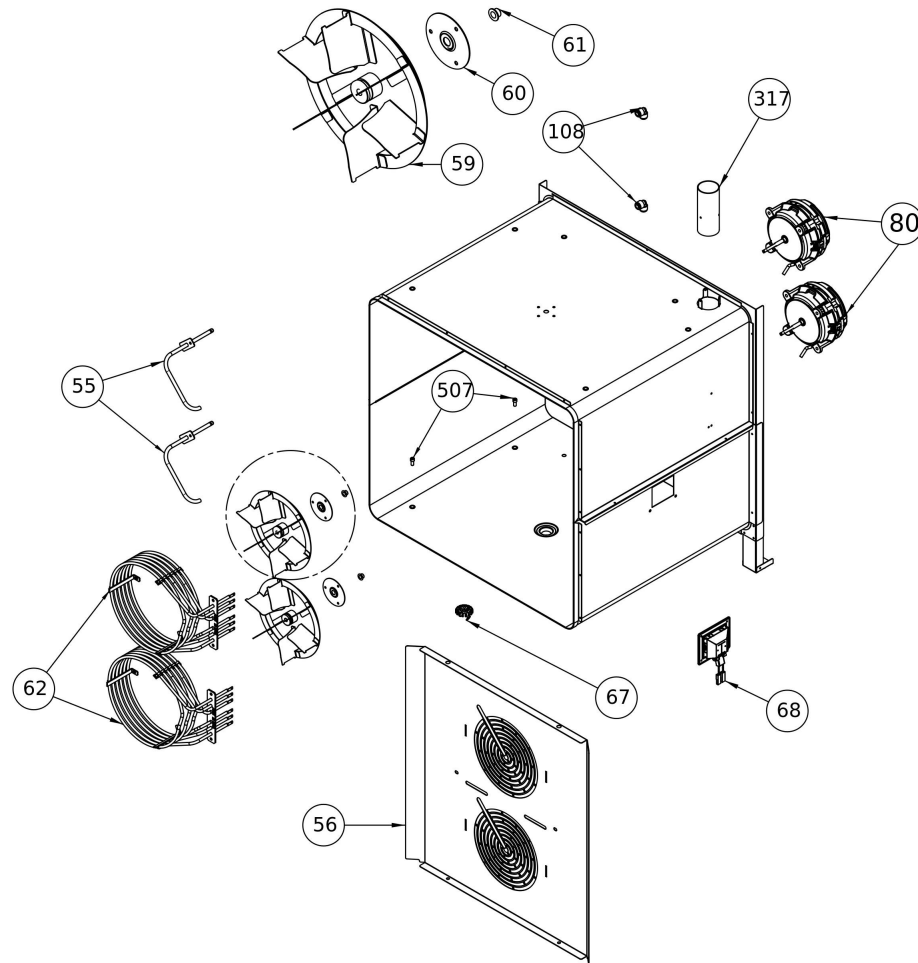


#	Code	Description	Specification	UM	Qty
79	020MOR0002	TERMINAL BLOCK 7(X3) POLES 40A		pz	1
81	020PRC0001	MOTOR DIRECTION TIMED SWITCH		pz	1
82	020TEL0003	BRAKER 4POLES 230V 25A (6500W HEATERS)		pz	2
85	10SCB00035	WIRING BASE SQ MECC.		pz	1
303	040PPC00007	WIRING PLASTIC CONNECTOR		pz	2
462	020TEL0004	BRAKER		pz	1
543	040PPC00010	WALL PASSTHROUGH MEMBRANE DIA 21		pz	1
569	70VIT054	SCREW ST 4,2X19 RH PH ZN BLUNT TIP		pz	2



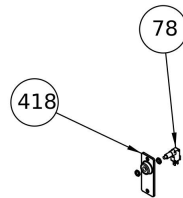
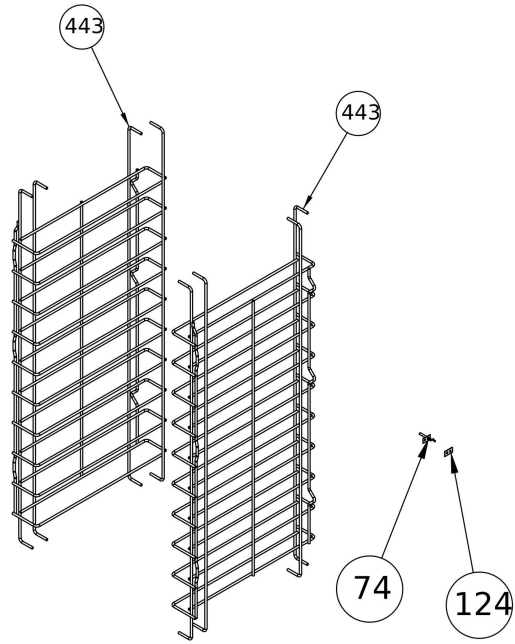
Oven body

#	Code	Description	Specification	UM	Qty
46	85VAS00001	CONDENSATE TRAY		pz	1
65	040GUA00002	DOOR GASKET COMBISTEAMER		cm	260
66	040ANG00002	DOOR GASKET ANGLE SUPPORT		pz	4
69	60NASAI001	HANDLE STUD L70MM		pz	1
70	60PERAI003	HANDLE PIVOT RCB-RCG		pz	1
77	85PIA00002	PLATE		pz	1
83	020TER0007	SAFETY THERMAL SWITCH		pz	1
91	50PIEAI002	OVEN FEET H50		pz	4
107	020ELE0002	TWO-WAY SOLENOID VALVE REDUCER BROWN		pz	1
119	85CER00008	BOTTOM HINGE		pz	1
120	10PIAA20NAA010	DOOR SPACER RING		pz	1
121	10PIAA10SAA013	DOOR LOCK PLATE		pz	1
207	020MOT0009	AXIAL MOTOR		pz	1
244	10PIAA10SAA037	PLATE		pz	1
246	040GUA00009	CHIMNEY GASKET		pz	1
341	020CND00001	CAPACITOR 6,3 ?F		pz	2
419	40CER00001	TOP HINGE		pz	1
420	40CER00002	TOP HINGE COVER		pz	1
436	40DIS00011	CONDENSATE TRAY OVEN SIDE SUPPORT		pz	3
442	40RAC00029	90° JOINT W/STRAIGHT PIPE 5/16MM		pz	2

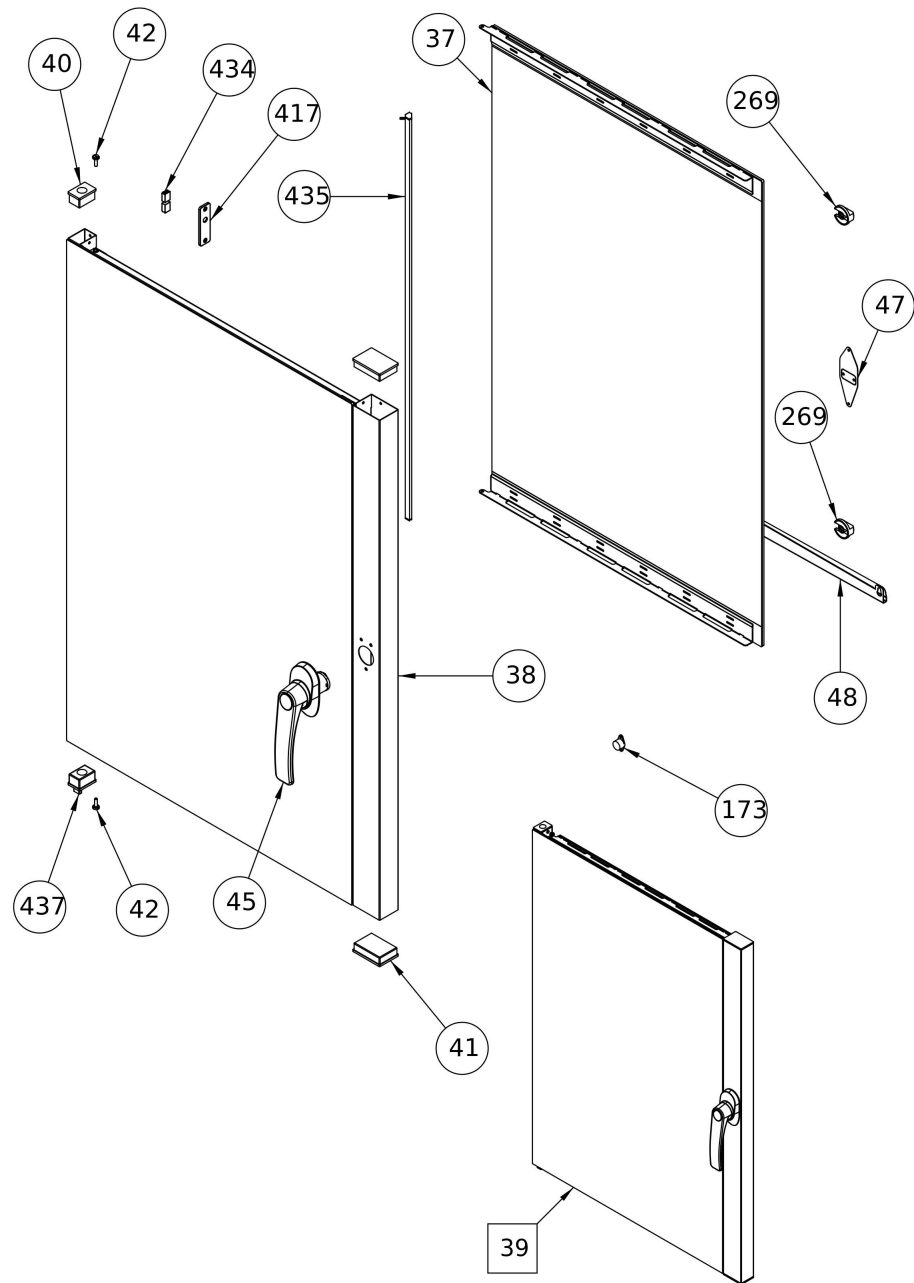


Cooking chamber

#	Code	Description	Specification	UM	Qty
55	85TBA00013	HUMIDIFICATION PIPE		pz	2
56	10DEF00005	AIR DEFLECTOR FOR OVEN L06/G07		pz	1
59	60VENAI013	FAN 200X61 AIRTEK 2.0		pz	2
60	10PIAA10LAA009	PLATE FOR MOTOR		pz	2
61	040BOC00006	CRANKSHAFT BUSH		pz	2
62	020RES50230232613	HEATING ELEMENT 5 KW		pz	2
67	85PIA00003	PLATE		pz	1
68	020LAM0004	HALOGEN LAMP HOLDER		pz	1
80	TBC-MOT	MOTOR	To order share s/n	pz	2
108	040RAC00001	PLASTIC JUNCTION		pz	2
317	30TBA00010	TUBE		pz	1
507	70VIT00067	SCREW M6X12 REDUCED CIL. HEAD SS		pz	2

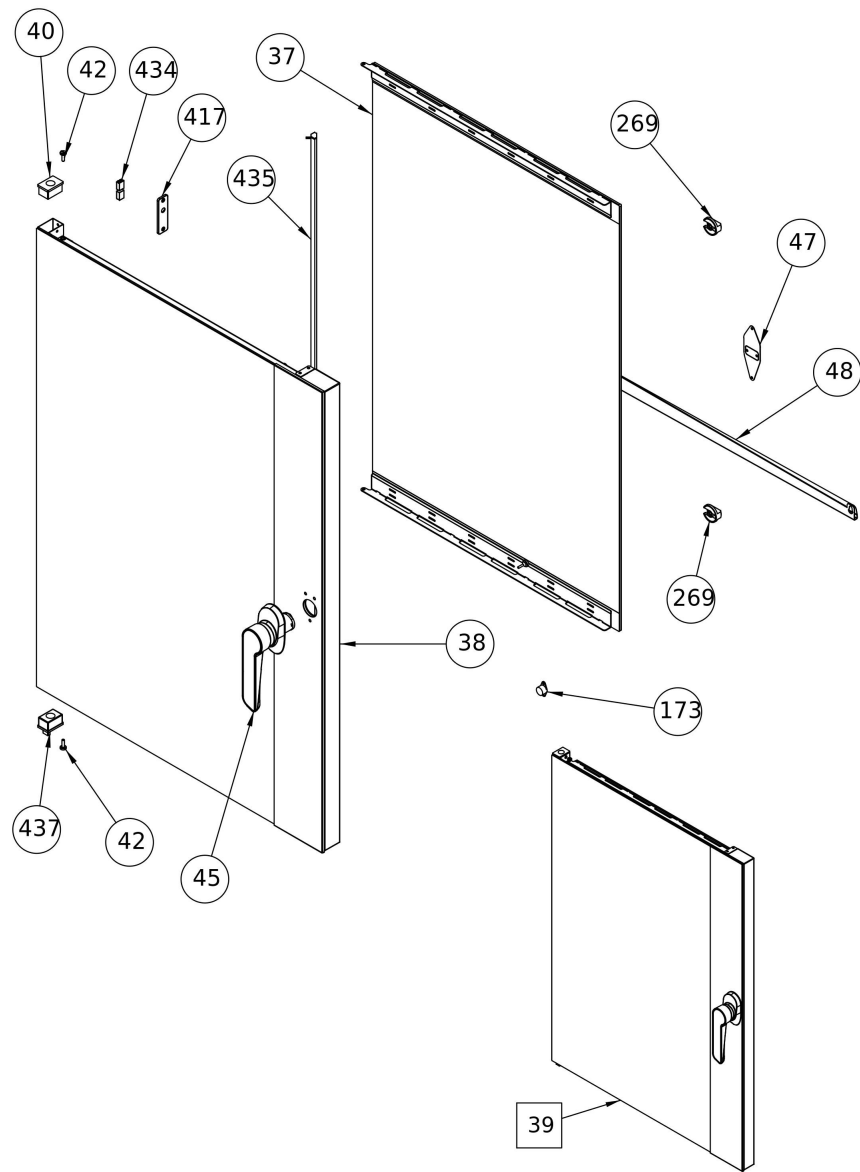


#	Code	Description	Specification	UM	Qty
74	020SON0002	PROBE TCJ FLANGED		pz	1
78	020PUL0002	MICRO SWITCH		pz	1
124	040GUA00007	CHAMBER PROBE FLANGE GASKET		pz	1
418	40DIS00013	DOOR MICROSWITCH PLASTIC PLATE		pz	1
443	TBD-GRI	TRAYS HOLDER		pz	2



Door

#	Code	Description	Specification	UM	Qty
37	85AVI00002	INTERNAL GLASS ASSY		pz	1
38	TBC-85AVE00001*	EXTERNAL GLASS	To order share s/n	pz	1
39	TBC-85PTA00060*	DOOR SQ10-12	To order share s/n	pz	1
40	040TAP00001	BLACK CAP		pz	1
41	040TAP00002	BLACK CAP		pz	2
42	70VIT029	DOOR ROTATION SCREW		pz	2
45	60MAGTR003	MANIG. 6302-020072VX VENIX SX		pz	1
47	10PIAA10SAA012	HANDLE PLATE		pz	1
48	10VAS006	DROPS COLLECTOR TRAY		pz	1
173	60MGNSN002	DOOR SENSOR MAGNET		pz	1
269	040MAN00010	INTERNAL GLASS BLOCKING KNOB		pz	2
417	40DIS00014	MAGNETIC SENSOR PLATE		pz	1
434	20MOR00010	MAIN TERMINAL BLOCK KLEMSAN		pz	2
435	020LED0002	LAM LED PT 6T CR530OP4 L=565MM		pz	1
437	040TAP00025	BOTTOM DOOR CAP		pz	1



All glass door

#	Code	Description	Specification	UM	Qty
37	85AVI00002	INTERNAL GLASS ASSY		pz	1
38	TBC-85AVE00003*	EXTERNAL GLASS	To order share s/n	pz	1
39	TBC-85PTA00056*	DOOR SQ06-07	To order share s/n	pz	1
40	040TAP00001	BLACK CAP		pz	1
42	70VIT029	DOOR ROTATION SCREW		pz	2
44	040TAP00015	RUBBER SPACER FOR INTERNAL GLASS		pz	17
45	60MAG00013	HANDLE		pz	1
47	10PIAA10SAA012	HANDLE PLATE		pz	1
48	10VAS006	DROPS COLLECTOR TRAY		pz	1
173	60MGNSN002	DOOR SENSOR MAGNET		pz	1
269	040MAN00010	INTERNAL GLASS BLOCKING KNOB		pz	2
417	40DIS00014	MAGNETIC SENSOR PLATE		pz	1
434	20MOR00010	MAIN TERMINAL BLOCK KLEMSAN		pz	2
435	020LED0002	LAM LED PT 6T CR530OP4 L=565MM		pz	1
437	040TAP00025	BOTTOM DOOR CAP		pz	1
542	70VIT048	SCREW M5X20 SH PH SS		pz	2
544	040PPC00008	WIRING PLASTIC CONNECTOR		pz	1
594	70VIT038	SCREW M5X14 RH PH NP		pz	3